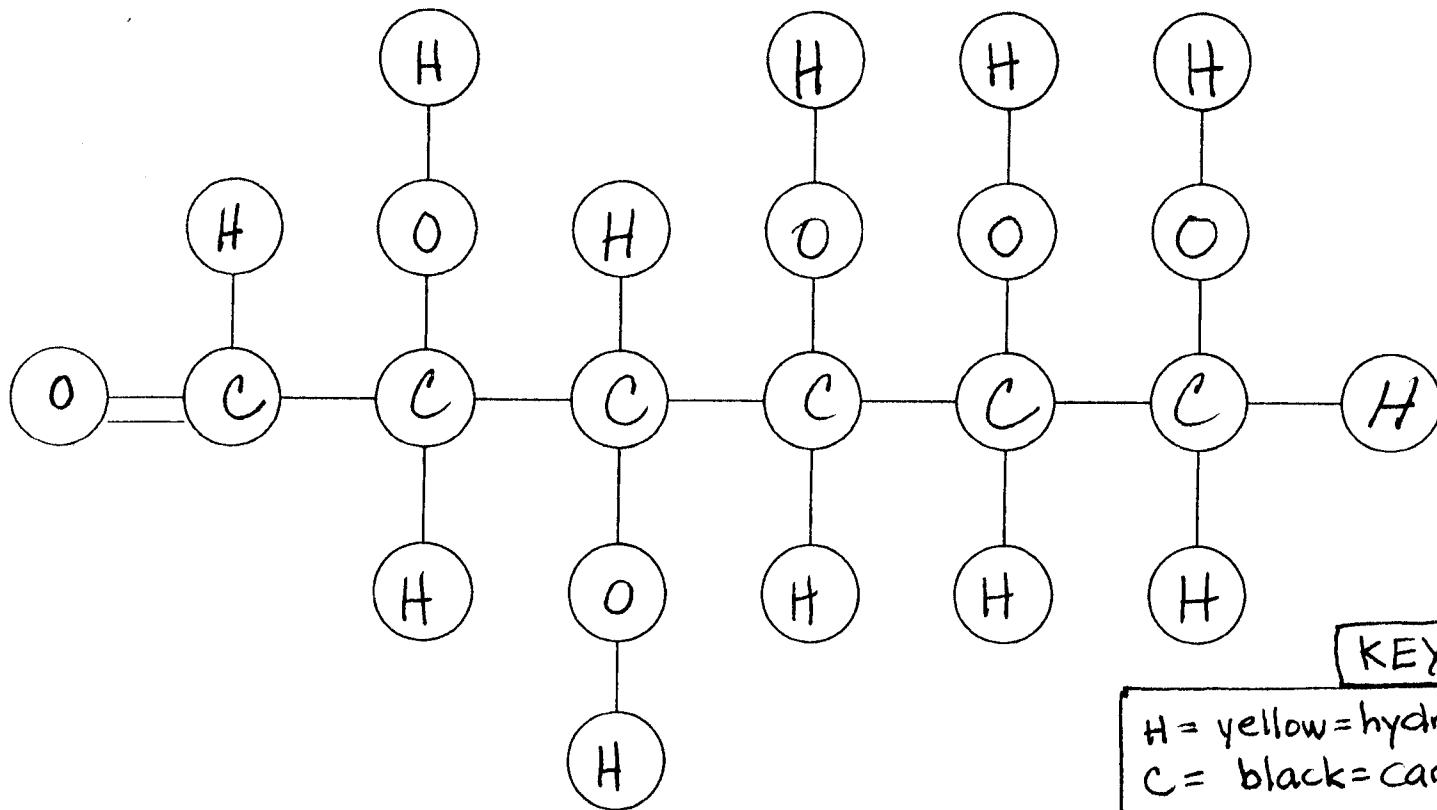


Glucose

This is a molecule of glucose (sugar).

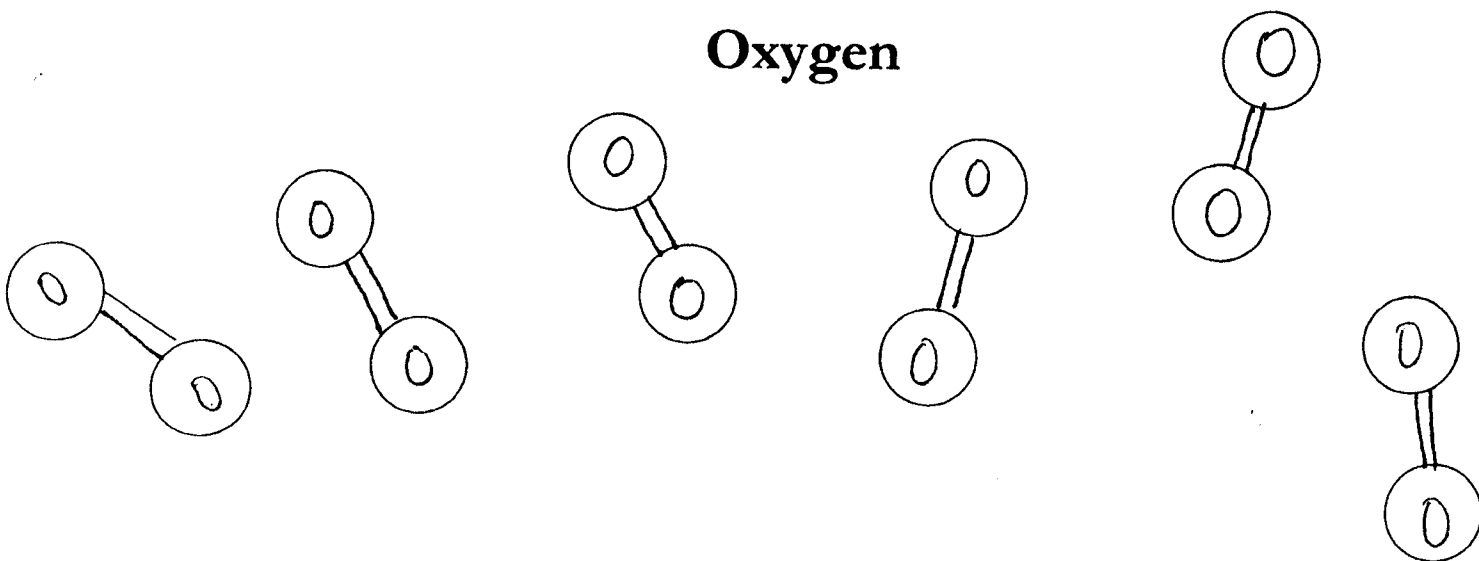


KEY

H = yellow = hydroge
C = black = carbor
O = red = oxygen

The formula for this molecule is $C_6H_{12}O_6$

Oxygen



These are 6 molecules of oxygen gas.

The formula for each one is O_2

O = red = oxygen